



## QUICK REFERENCE GUIDE

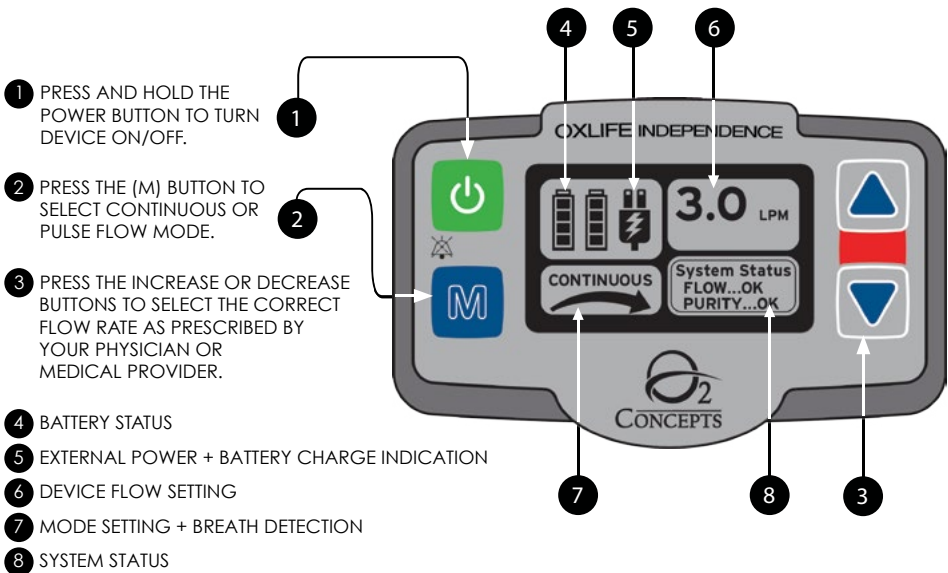
THIS GUIDE IS INTENDED TO BE A QUICK REFERENCE ONLY. FOR COMPLETE USER INSTRUCTIONS, PLEASE REFER TO THE USER MANUAL.

DO NOT SMOKE WHEN USING THIS DEVICE. KEEP ALL MATCHES, LIT CIGARETTES, CANDLES OR OTHER SOURCES OF IGNITION AT LEAST 10 FEET FROM DEVICE.

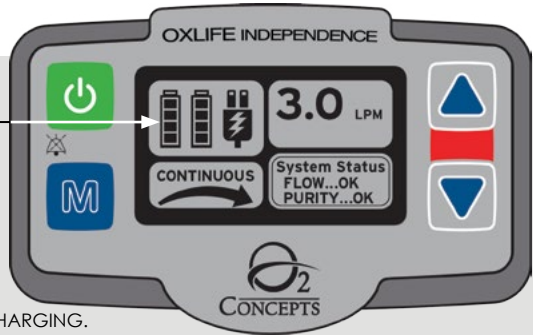
PLACE THE OXLIFE INDEPENDENCE® IN A WELL VENTILATED AREA FREE OF SMOKE AND AWAY FROM DIRECT SUNLIGHT; ENSURE THAT AIR INTAKE AND EXHAUST PORTS ARE NOT OBSTRUCTED.

FOR FURTHER INFORMATION, PLEASE VISIT OUR WEBSITE [WWW.O2-CONCEPTS.COM](http://WWW.O2-CONCEPTS.COM) OR CONTACT TECH SUPPORT AT 877-867-4008, PROMPT 5.

## CONTROL PANEL



# POWER MANAGEMENT



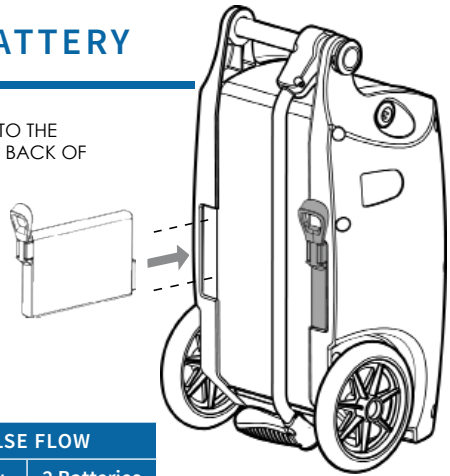
- BATTERY CHARGE STATUS IS DISPLAYED IN THE UPPER LEFT PORTION OF THE CONTROL PANEL.
- EACH BAR INDICATES A 25% CHARGE. SOLID BAR INDICATES A 100% CHARGE. LIGHTNING BOLT INDICATES BATTERY IS CHARGING.
- THE OXLIFE INDEPENDENCE MAY BE POWERED USING THE BATTERY, AC POWER CORD OR DC POWER CORD. USING THE AC OR DC POWER CORDS WHENEVER POSSIBLE WILL PRESERVE BATTERY LIFE.
- YOU WILL ACHIEVE LONGER BATTERY RUN TIME WHEN USING YOUR OXLIFE INDEPENDENCE IN PULSE FLOW MODE. **HOWEVER, PULSE FLOW MODE SHOULD ONLY BE USED UNDER THE DIRECTION OF YOUR PHYSICIAN.**

# INSTALLING/REMOVING BATTERY

HOLD THE BATTERY AS SHOWN WITH THE CONNECTION TO THE BOTTOM AND THE TAB ON TOP, AND INSTALL IT INTO THE BACK OF THE DEVICE.

SLIDE BATTERY INTO BACK OF DEVICE AND PRESS TO ENGAGE; BATTERY WILL DROP DOWN SLIGHTLY AND CLICK INTO POSITION.

TO REMOVE, PULL THE TAB OUT SLIGHTLY TO RELEASE IT FROM THE BAY, THEN PULL UP AND OUT ON THE TAB TO SLIDE THE BATTERY OUT.



## TYPICAL BATTERY OPERATION TIMES

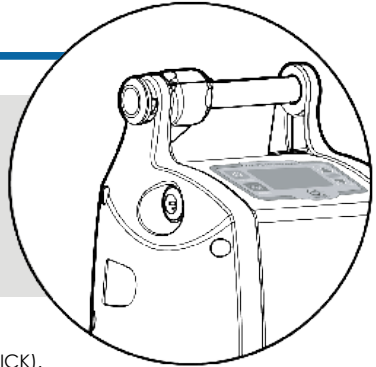
FLOW RATE SETTING	CONTINUOUS FLOW		PULSE FLOW	
	1 Battery	2 Batteries	1 Battery	2 Batteries
0.5	2 hr 53 min	5 hr 45 min	3 hr 8 min	6 hr 15 min
1.0	2 hr 38 min	5 hr 15 min	3 hr	6 hr
1.5	1 hr 45 min	3 hr 30 min	3 hr	6 hr
2.0	1 hr 15 min	2 hr 30 min	2 hr 53 min	5 hr 45 min
2.5	1 hr	2 hr	2 hr 53 min	4 hr 45 min
3.0	45 min	1 hr 30 min	2 hr	4 hr
3.5	<i>Times shown are based upon 20 breaths per minute</i>		1 hr 45 min	3 hr 30 min
4.0			1 hr 30 min	3 hr
4.5			1 hr 15 min	2 hr 30 min
5.0			1 hr 8 min	2 hr 15 min
5.5			1 hr	2 hr
6.0			53 min	1 hr 45 min

Battery operating time will degrade with battery age, number of charge cycles and operating environment.

## EXTERNAL POWER



### AC POWER SUPPLY



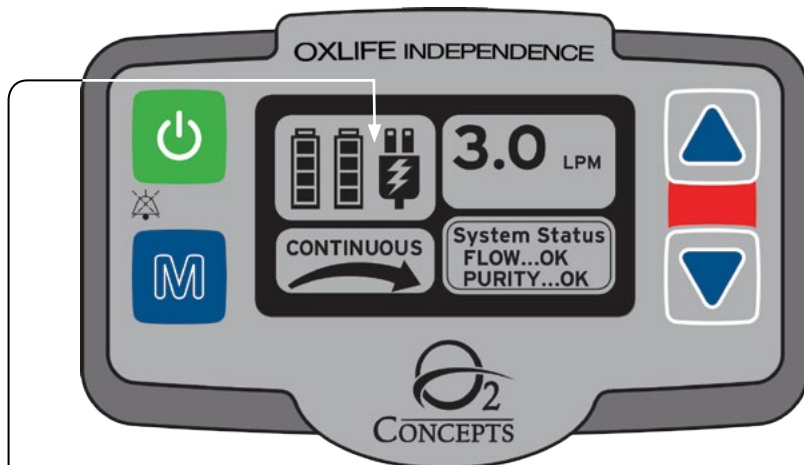
- TO USE THE AC POWER SUPPLY, CONNECT THE POWER CORD TO THE AC POWER CONVERTER (BRICK). CONNECT THE POWER SUPPLY TO A WALL OUTLET AND THEN TO THE INDEPENDENCE. THE EXTERNAL POWER SOURCE ICON WILL BE DISPLAYED ON THE CONTROL PANEL.



### DC POWER SUPPLY

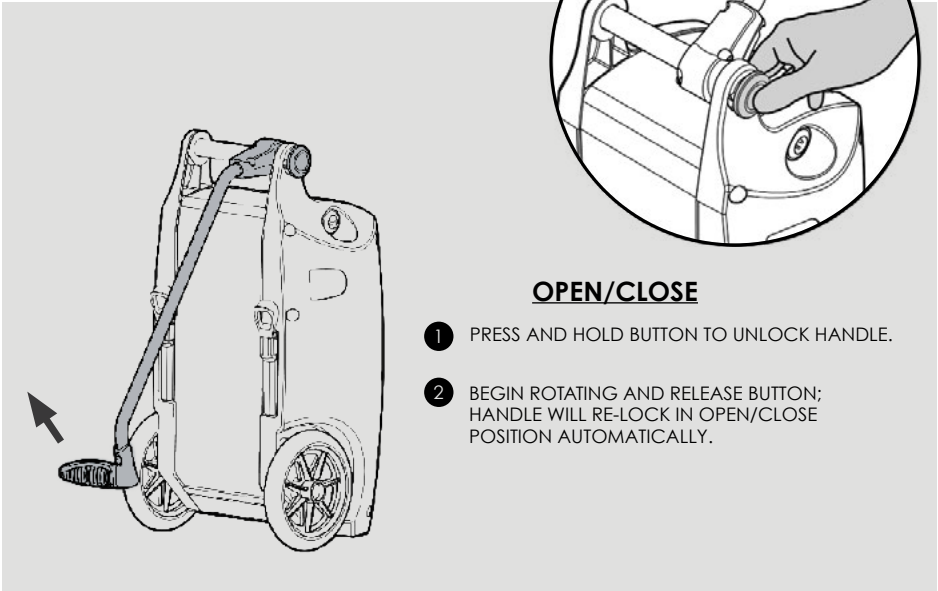


- THE DC POWER SUPPLY POWERS THE INDEPENDENCE FROM A VEHICLE'S 12/15-VOLT DC OUTLET IN ALL SETTINGS. HOWEVER, DC POWER IS NOT SUFFICIENT TO CHARGE BATTERIES AT ALL SETTINGS. CHARGING WILL NOT OCCUR ON DC POWER AT SETTINGS HIGHER THAN CONTINUOUS 2.0 OR PULSE 4.0. TO USE THE DC POWER SUPPLY, CONNECT THE POWER CORD TO THE INDEPENDENCE; THEN CONNECT THE POWER SUPPLY TO A DC POWER OUTLET. THE EXTERNAL POWER SOURCE ICON WILL BE DISPLAYED ON THE CONTROL PANEL. USE THE DC OUTLET THAT IS LOCATED IN THE CLOSEST PROXIMITY TO THE ENGINE.
- **ALWAYS HAVE THE VEHICLE'S ENGINE RUNNING BEFORE PLUGGING IN YOUR OXLIFE INDEPENDENCE.**
- DC POWER CAN VARY AMONG DIFFERENT TYPES OF VEHICLES. IN SOME INSTANCES, IN ORDER TO OPERATE THE DEVICE ON DC POWER AT HIGHER CONTINUOUS SETTINGS, IT MAY BE NECESSARY TO INSTALL AN INVERTER IN THE VEHICLE.



THE EXTERNAL POWER SOURCE ICON WILL BE DISPLAYED ON THE CONTROL PANEL.

# HANDLE OPERATION



# FEATURE IDENTIFICATION

- 1 CONTROL PANEL
- 2 LCD DISPLAY
- 3 OXYGEN OUTLET PORT
- 4 EXHAUST PORT
- 5 WHEELS
- 6 RECHARGEABLE BATTERY SLOTS
- 7 FAA APPROVAL IDENTIFICATION
- 8 PULL HANDLE
- 9 AIR INTAKE PORT FILTER
- 10 EXTERNAL POWER INPUT
- 11 HANDLE LOCK/RELEASE BUTTON
- 12 CARRY HANDLE

